

Operating Instructions

(Read this manual carefully before using EdgeLight[®] Product)

Shanghai Edge Light Industry Co.,LTD.

TEL:+86-21-64412268

FAX:+86-21-64412266

Email: info@shedgelight.com

Published by EDGE LIGHT Corporation

Copyright 2010 EDGE LIGHT Corporation

All rights reserved.

Operating Instructions

Thank you for buying this EdgeLight® product. Please read through these operating instructions so you will know how to operate your unit properly. After you have finished reading the instructions, keep them in a safe place for future reference.

WARNING

This product is not waterproof. To prevent a fire or shock hazard, do not place any container filled with liquid near this equipment or expose it to dripping, splashing, rain or moisture.

IMPORTANT



The lightning flash with arrowhead symbol, within an equilateral triangle, is intended to alert the user to the presence of uninsulated "dangerous voltage" within the product's enclosure that may be of sufficient magnitude to constitute a risk of electric shock to persons.

**CAUTION
DO NOT OPEN**

CAUTION:
TO PREVENT THE RISK OF ELECTRIC SHOCK, DO NOT REMOVE COVER (OR BACK). NO USER-SERVICEABLE PARTS INSIDE. REFER SERVICING TO QUALIFIED SERVICE PERSONNEL.



The exclamation point within an equilateral triangle is intended to alert the user to the presence of important operating and maintenance (servicing) instructions in the literature accompanying the appliance.

Information to User

Alteration or modifications carried out without appropriate authorization may invalidate the user's right to operate the equipment.

Operating Instructions

SAFETY INSTRUCTIONS

To ensure your personal safety and to maximize the full operating potential of your Drive, read and follow these safety precautions:

ENVIRONMENT-DO NOT use the unit at places with high levels of dust, high temperature, or high humidity. Please use the unit in a place where it is not subjected to vibrations or shocks.

POWER- Please use correct power as required for this product.

READ INSTRUCTIONS- Read all safety and operating instructions before the Drive is operated.

RETAIN INSTRUCTIONS- Retain the safety and operating instructions for future reference.

FOLLOW INSTRUCTIONS- Follow all operating and use instructions.

HEED WARNINGS- All warnings must be adhered to.

CLEANING-DO NOT use liquid, aerosol cleaners, or alcohol. Use only a damp cloth to clean the exterior housing.

WATER AND MOISTURE-DO NOT use this product near water.

POWER SOURCES- Operate this product from the type of power source indicated on the marking label. If you are not sure of the type of power available, consult Authorized EDGELIGHT™ Dealer.

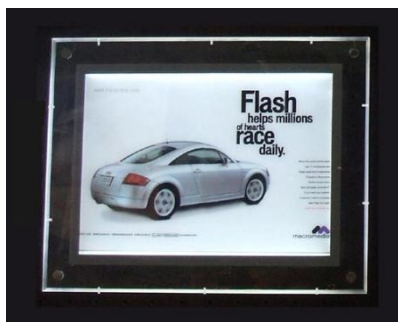
OVERLOADING-DO NOT overload wall outlets and extension cords. Doing so can result in fire or electric shock.

OBJECT AND LIQUID ENTRY- Never push objects of any kind into this product. Touching dangerous voltage points may cause a short resulting in fire or electric shock. Do not spill liquid of any kind on this product.

CONDENSATION- Moisture will form in the operating section of the product causing performance to be impaired if it is brought from cool surroundings into a warmer environment. If you are moving the unit to a location with a warmer temperature, let the product stand for 1 to 2 hours in the new location before turning it back on.

Operating Instructions

SPECIFICATIONS



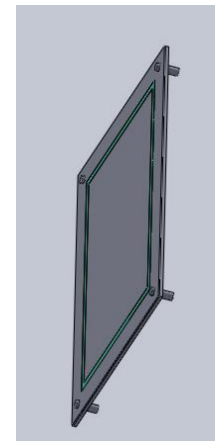
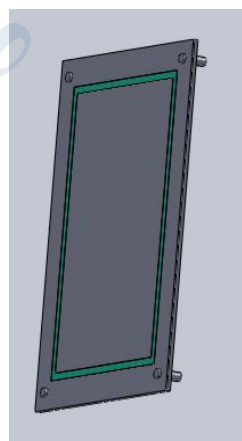
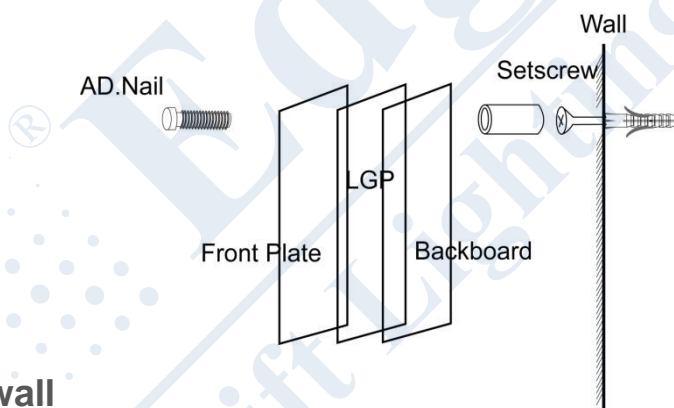
CF1-A0



CF1-A1

Item	CF1-A0	CF1-A1
Viewing side	Single size	Single size
Frame size	1307×959mm	712×959mm
Thickness	11mm	11mm
Viewing side	1173×825mm	578×825mm
Film size	1189×841mm	594×841mm
Light source	LED	LED
Packing size	134×9×102cm	100×9×77cm
Volume	0.12m ³	0.07m ³
Life span	LED -----Above 50000h	

INSTALLATION



On the wall

1. Measure installation dimension
2. Drive AD nuts in the wall
3. Fix light box and screw the AD nails
4. Clamp the clips
5. Connect adapter
6. Connect the power supplier

Operating Instructions

ACCESSORIES

Operating instruction	x 1
AD nail	x 4
Adapter (AC100-240V)	x 1

(Various plugs are available for your needs, such as CE, UL, SAA, etc.)



CE



UL



SAA

NOTICE

- * Pay more attention that Slim Light Box not to be crashed. While transporting or working, keep sharp edge or instrument away from Slim Light Box . Use soft & wet textile to clean front board to avoid being scratched. Make sure to use right voltage.
- * Specifications and design subject to possible modifications without notice, due to improvements.

PLS download the more detailed user manual from the following website:
<http://www.cnedgelight.com/image/cf1-a0&a1.pdf>



Printed in China