

PRODUCT SPECIFICATION

产品规格书



DESCRIPTION: LED Lighting Panel

产品名称: LED 平板灯

MODEL NO:

产品型号: AF23- 595*595 (ALS-12V-3W8-576)



目录

Table of contents

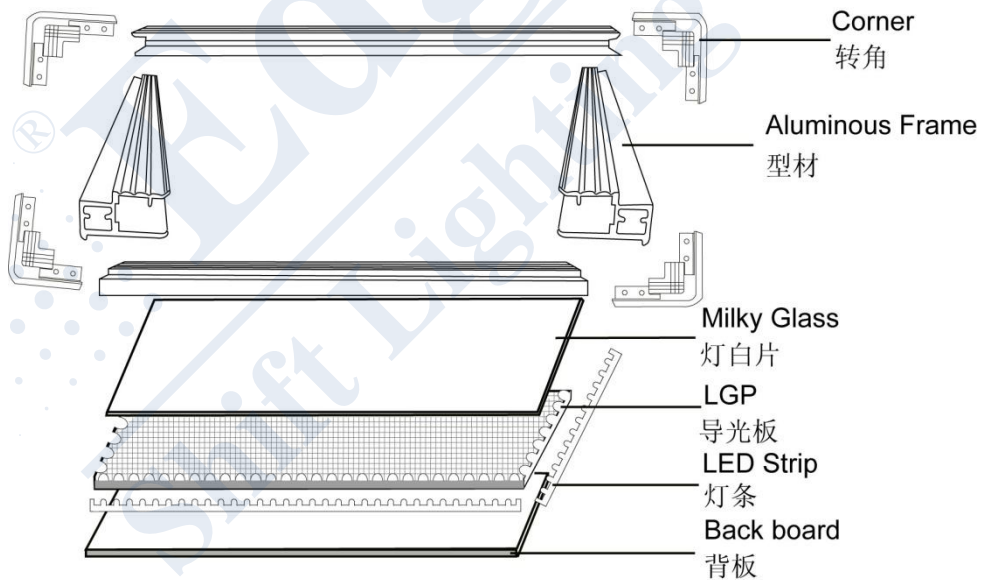
1. Picture of real products 产品图片	3
2. Structural drawing 产品结构图	3
3. Dimensions 机械尺寸(mm)	4
4. Features 产品特性	5
5. Applications 应用范围	5
6. Technical Request 技术参数	6
7. LED Description 光源描述	6
8. Spectrogram 配光谱图	7
9. Illumination Intensity Graph 照度图	7
10. LED Lumen Attenuation table LED 衰减表	7
11. Safety Notice for Using 安全使用注意事项	8
12. Maintenance 保养注意事项	9
13. Disposal 旧品处理	9
14. Installation 安装注意事项	9



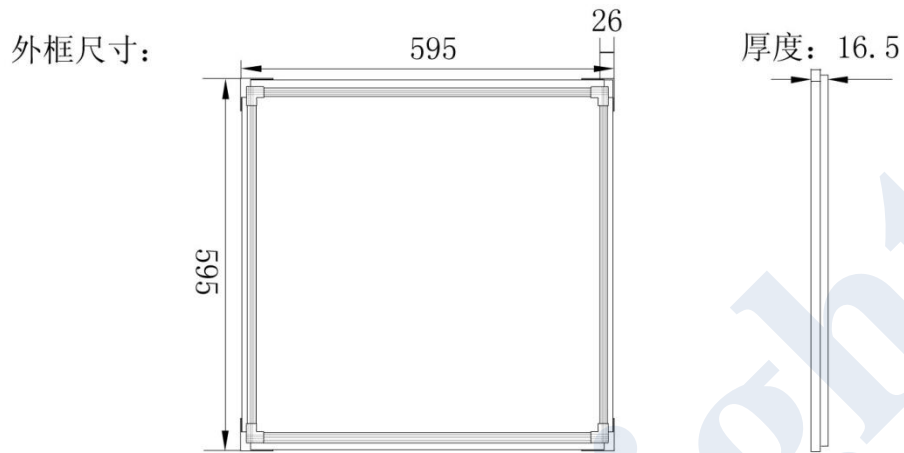
1. Picture of real products 产品图片



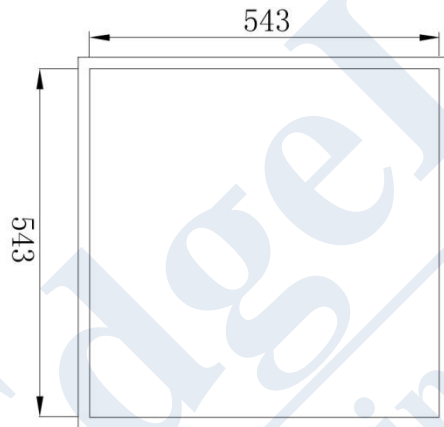
2. Structural drawing 产品结构图



3. Dimensions 机械尺寸 (mm)



可视尺寸:



※Notes 说明

1. All dimension units are millimeters. 所有尺寸单位均为毫米
2. All dimension tolerance is $\pm 0.5\text{mm}$ otherwise additional statement.

除非另有说明，否则所有尺寸的公差是 $\pm 0.5\text{mm}$

Net weight of each piece: 3.8KG

净重为 3.8 公斤

4.Features 产品特性

※Energy- saving, up to 50%. high brightness, even light.

节省 50%能源，亮度高，出光均匀

※5-year life time

5 年使用期限

※Input voltage: DC12V

电压：DC12V

※Instant start-up, no flickering, no humming

启动快，没有闪烁现象，没有噪音

※New high efficiency constant current driver

最新的高效恒流驱动器

※Special circuit design, each group of LEDs work separately, avoiding any problem of

Lighting output caused or influenced by single faulty LED

专业电路设计，每组灯独立工作，可避免单一的坏灯影响整体的出光效果

※No electrical wave, conforming to CE

抗电波干扰，符合 CE 要求

※Green environmental protection, lead-free material, conforming to ROHS

无铅，绿色环保，符合 ROHS 要求

※No RF interference

不受无线电干涉

5.Applications 应用范围

Hotels、Meeting rooms、Offices、Commercial Purposes、Institution Buildings、Schools、

Hospitals, Places where energy saving and high color rendering index lightings required

酒店、会议室、办公室、商业用途、住宅、学校、医院等需要节能及要求高显色性指数

照明的地方。

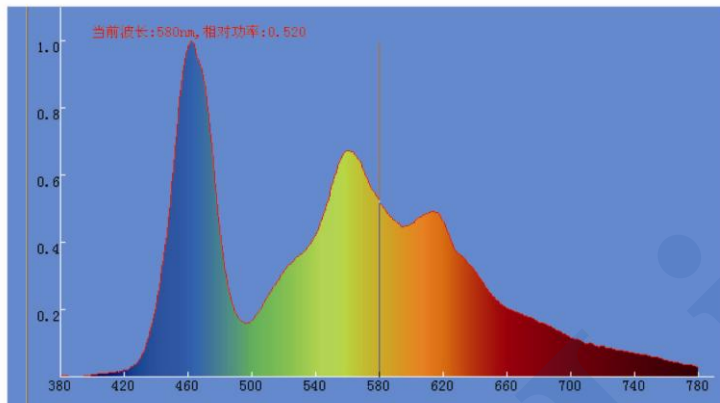
6. Technical Request 技术参数

MAIN SPECIFICATIONS(T=20)		
NUMBER 序号	ITEM 项目	DESCRIPTION 描述
01	Power supply (电源)	6.6A-80W
02	Power Consumption (输入功率)	76W
03	Luminous Flux (光通量)	>6000LUX
04	Color Temperature (色温)	4500-5000K (Warm white) 暖白 6000-6500K (Natural white) 中白 7500-8000K (Cool white) 冷白
05	Life Time (使用寿命)	>50,000 Hour
06	Operating Temperature (工作环境温度)	-10 to +40°C
07	Storage Temperature (储存温度)	-20 to +60°C
08	Humidity Operating (工作湿度)	90%
09	Humidity Storage (储存湿度)	90%
10	Luminosity (LUX 高照度)	>1060LUX
11	Weight (净重)	3.8KG
12	Size (尺寸)	595*595*16.5mm
13	Fixing Ways (安装方式)	In-built (嵌入), Mounting(吸顶) Suspending (吊装) Hung from side (侧挂)

7. LED Description 光源描述

型号	颜色	线路板宽度 (mm)	线路板长度 (mm)	直流电压 (V)	单颗灯珠功 率(W)
Item	Color	PCB Width	PCB Length	DC Voltage	Power per lamp
ALS-12V-3W8-576	白光 White	8	576	12V	0.5

8. Spectrogram 配光谱图



9. Illumination Intensity Graph 照度图

60°	Model: AF23-595*595(ALS-12V-W8-576)
m	LUX
0.5	3450
1	1650
1.5	1120
2	840
功率 POWER	76w

10. LED Lumen Attenuation table LED 衰减表

Operating time(hours) 工作时间 (小时)	Lumen decrease(%) 光衰率 (%)
5,000	<10
10,000	<20
20,000	<50
50,000	<70

11. Safety Notice for Using 安全使用注意事项

※Before starting use of the light, please check if the light was damaged during transportation.

If any damage shown, please Do not install or use it.

在使用之前，需确认产品在运输中有没有被损坏，若有损坏就不能安装使用

※Any maintenance should be performed by trained professionals only.

不要尝试自己维修，只能由专业工程师去维修

※Keep packaging material away from the reach of children and pets. Risk of suffocation!

包装材料要远离小孩，防止小孩玩弄导致窒息

※Caution. The packaging contains small parts that may be swallowed by children.

防止产品小的配件被小孩吞食

※Never leave children unattended in the vicinity of the lights and do not allow them to play with electrical devices.

让小孩远离产品，更不要让小孩接触带电设备

※Try to avoid looking directly in the LED beam-especially for extended periods of time.

Do not shine the LED light in another person's eyes.

避免长时间直视LED的发光面，不要用反射的LED的光去照射别人的眼睛

※Never cover the lights by other objects while using it.

不要在工作中的产品上覆盖任何物品

※Never allow the light to come into contact with open flames or external heat sources.

产品要远离明火或高温物体

※The products need to re-repair inspection or special treatment of retirement after service time.

产品过了使用期限，需要重新维修检查，或报废处理

12. Maintenance 保养注意事项

※Prior to cleaning the light, make sure it has been disconnected form the power supply.

在清洁灯具之前，请一定要关闭电源

※Use a dry or slightly moistened cloth for cleaning.

请用干燥或较干燥的抹布进行清洁

※Never use any chemicals or abrasives for cleaning.

不要使用化学或有腐蚀性的东西去清洁

13. Disposal 旧品处理

※All parts are recyclable

所有部件均可回收利用

14. Installation 安装注意事项

※This product should be installed by trained electricians.

产品的安装必须是持证的专业电工

※check integrity of the products when unpack the packing.

从包装箱里拿出时要检查产品的完整性

※The distance between the light and any flammable materials must not be less than 0.2m.

产品与易燃材料要保证至少0.2m 距离。

※When laying the cables, make sure that the cables and plugs are not subjected to any tensile or twisting forces. Fit the cable tension relieving mechanisms to the connection points of the surface-mounted lights. Do not kink cables. Output cables should be laid separately and at a distance from other cables.

要确保灯具的电源线有足够的长度，不要受到张力或切向力。安装灯具的连线时避免过大的拉力，不要使连线打结。输出连线要注意区分，不要和其它灯具混淆

※After installation, connect the transformer to the mains supply.

安装好后，将灯具低压插头与开关电源低压插头进行连接

※Proceed by connecting the wiring cables to the luminaries. Usually, the brown (or black) wire

is the Live wire, connect it with the terminal marked "L". The blue wire is Naughty wire, connect it with the terminal marked "N".

将灯具的开关电源尾巴连线与市电进行连接，通常棕色（黑色）线为火线，蓝色（白色）为零线。

※Use only the LED drover included, and do not connect the surface-mounted lights to other loads.

要使用灯具的LED专用驱动器，不要和其它的灯具混用

※Do not remove the name plate of the power supply and driver of the light.

不要将灯具电源，驱动器的铭牌撕掉

※Notes 注意事项

Non-professionals are not allowed to disassemble and maintain the products. We have the right not to provide after-slae service if unauthorized disassembly and maintenance happens to the products.

非专业人员不得进行拆卸、维修，我司有权对私自拆卸、维修的产品不给予更换或保修的服务。

