



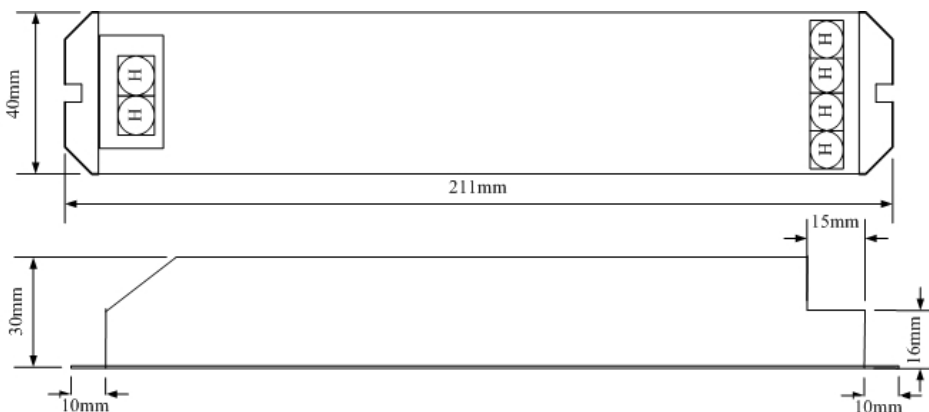
## Product Speciality

- Under the control of wireless, the effective remote control distance is 50 meters
- 3 channel RGB control, the max current of each channel up to 5A
- Multi-Mode to select, with Pause function
- Mode, suspend power memory function
- 8 levels brightness adjustment
- 8 levels of speed adjustment

## Product Attributes

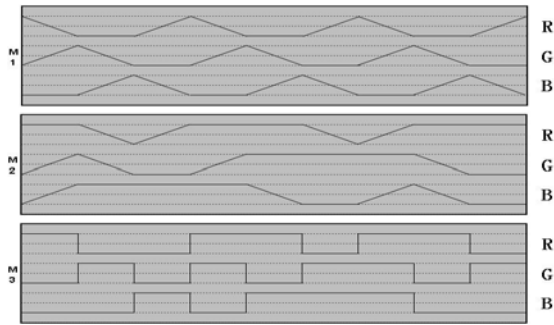
Input voltage	DC 12/24V
Output power	5A(Max) per channel, 12V: 180W; 24V: 360W
Size	211(L)X40(W)X30(H) mm
Remote distance	50 meters
Weight	310g

## Dimension



## Change Mode Instruction

Name	Mode Description
M1	Up slowly dimming
M2	Leaning Color Fade
M3	Full Color Fade
M4	RED, GREEN, WHITE JUMPING
M5	M2-M4 Loop



## Operation Instruction

The Functions of the buttons:

A Mode; B Pause; C Speed up; D Speed down

A Mode: Press it to change the mode to the next one;

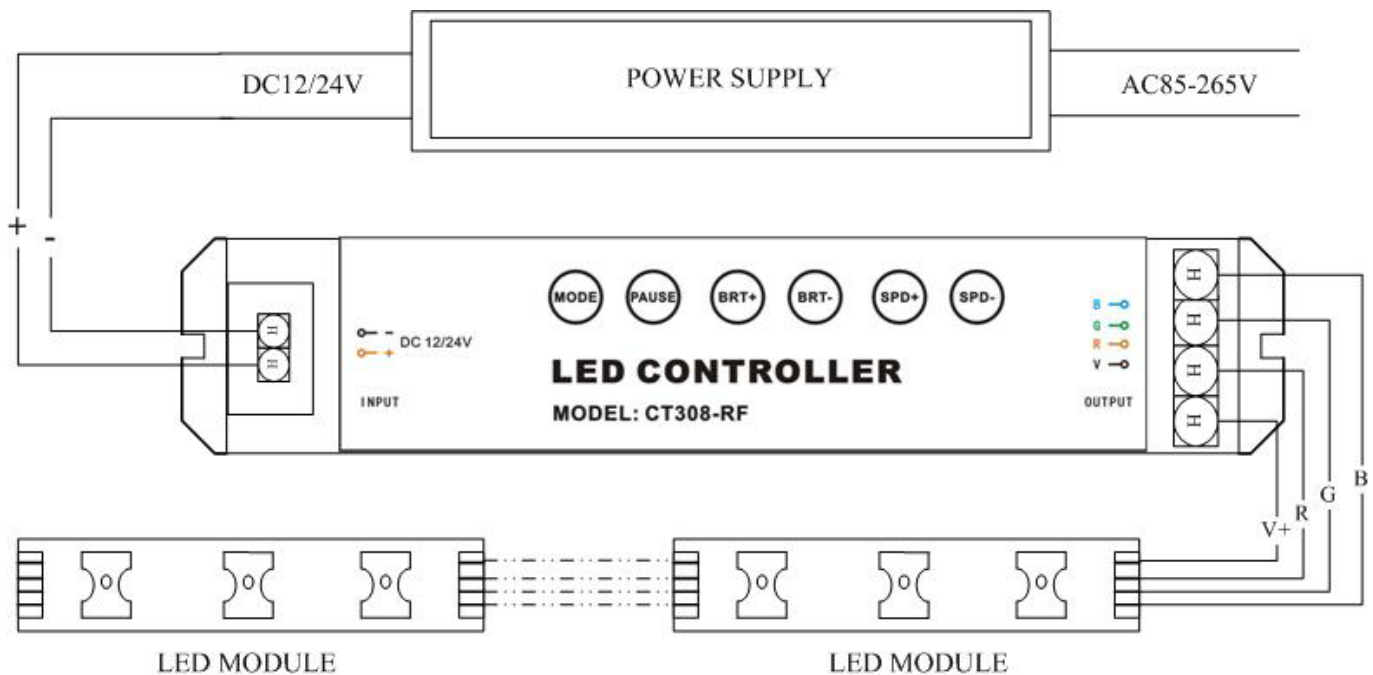
B Pause: Press it to make the LED stays at the present color, press it again then the color change moves on;

C Speed up: Press it to make the change speed of the LED to a faster level (Default is fastest level);

D Speed down: Press it to make the change speed of the LED to a slower level.



## Wiring Instruction



Remark:

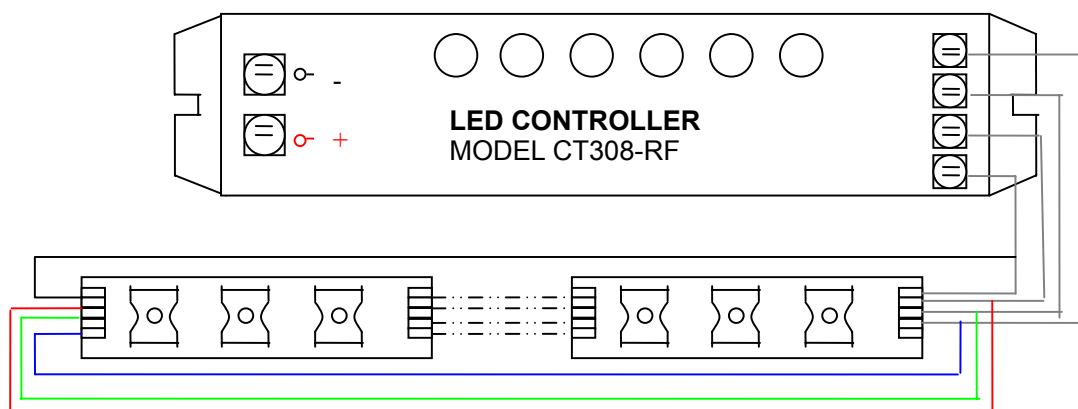
Can control various single color modules and RGB modules with the common anode.

Don't control several CT308-RFs with one remote controller at the same time.



## Installation Instruction

- (1) The input voltage should be limited in rated range.
- (2) Do not use it by over load.
- (3) Installed in air drying environment.
- (4) If the load line is too long, you should link it like a ring as below.



- (5) The all load must be the module with the common anode

## Troubleshooting Guide

Problem	Reason	Solution
1. All the lamps were off	The power wire not connected well or no output	Reconnect the power wire or change a power supply
	Lamp's power wire not connected well	Reconnect the power wire
2. Some color was off	Wire of this color not connected well	Reconnect the power wire
3. Irregular flicker	Line is too long or not connected well	Shorten the line or add a amplifier

