

Product Specifications

NANE: DIMMER

MODEL: EL-DIMMER-1CH-R



Summarization

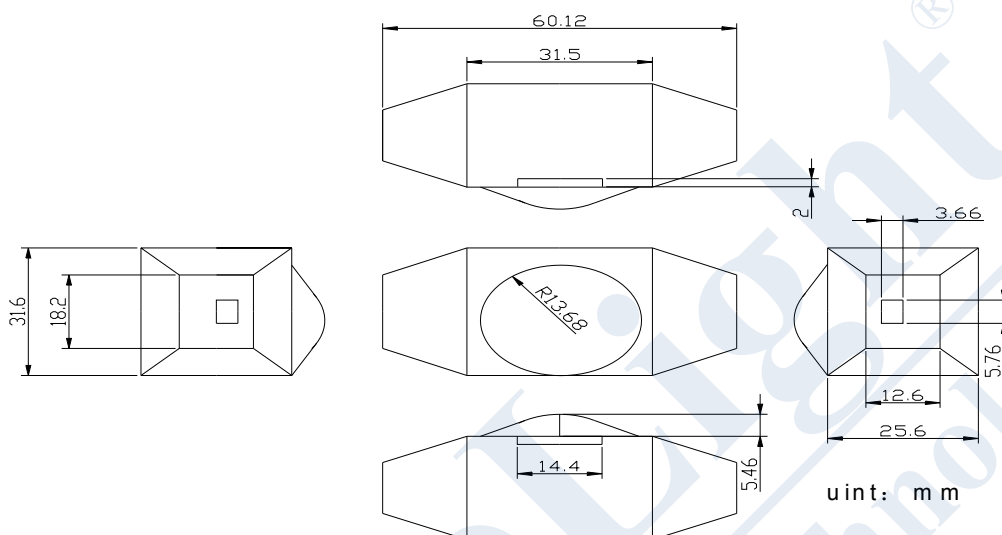
Dimmer is a controller that it can adjust brightness, its control mode is knob-operated control, you could adjust light to the appropriate lighting brightness in accordance with your actual need.

Technical parameters

- Working temperature: -20 -60°C
- Supply voltage: DC 12V
- Output: 1 channel
- External dimension: L61XW33XH32 mm
- Packing size: L105XW65XH40 mm
- Net weight: 30g
- Gross weight: 55g
- Static power consumption: <1W
- Output current: <2A
- Power output: 24W

Product Specifications

External Dimension



Interface Specifications

Power input interface:



Load output interface:



Direction for use

1. Connect the load wire at first, following by the power wire;
2. Adopt rotary button, its function as follows:
 Rotate button to the right, brightness will be brighter, when you rotate it to the far right, the brightness is greatest.
 Rotate button to the left, brightness will be darker, when you rotate it to the far left, the light will be turned off.

Typical Applications

