

LED Strip Specifications

产品规格书

DESCRIPTION:

产品名称: Edgemax

MODEL NO:

产品型号: EDGEMAX-LED-ALS-24V-W23C-360-5

Shanghai Edge Light Industry Co., LTD.

TEL: +86-21-64412288

FAX: +86-21-64412266

E-mail: info@cnedgelight.com

版本号: 2012-3-17



目录

Table of contents

1.实物图 Picture of real products.....	3
2.平面尺寸图 Dimension (mm)	5
3.LED 参数 Features.....	6
4.技术要求 Technical Request.....	7
5.使用说明 Use manual	7
6.包装 Packaging.....	8
7.命名规则 How to name.....	9



1. 实物图 Picture of real products



标准配件 Standard Accessories



EM 螺丝 (2 个)

EM Screw (2)

可选配件 Optional Accessories



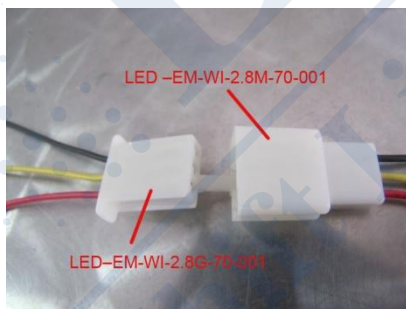
EM 连接线 300mm

EM Connecting line 300mm



EM 连接线带 5.5 端子 70mm

EM Connecting line and 5.5DC Jack 70mm



EM 连接线 70mm

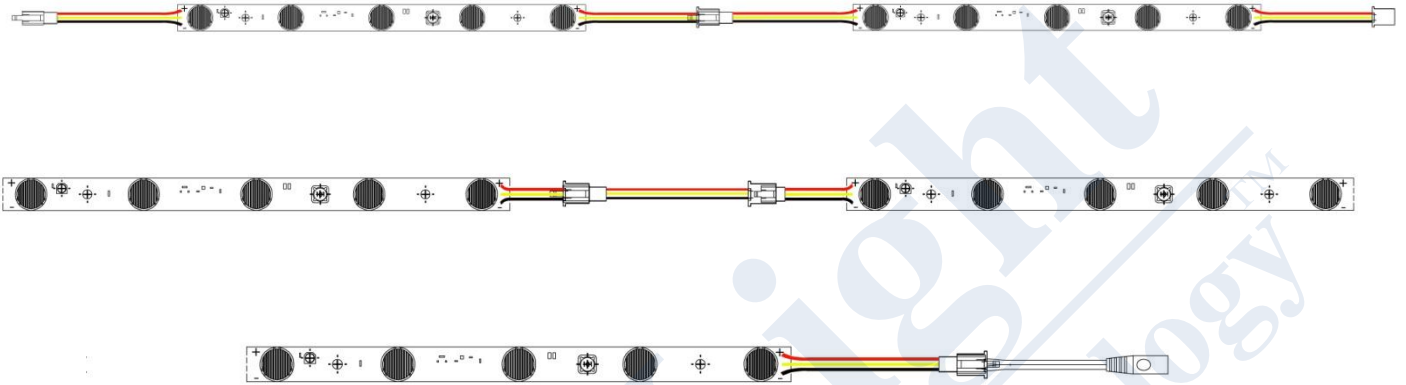
EM Connecting line 70mm



EM 连接线带 5.5 端子 600mm

EM Connecting line and 5.5DC Jack 600mm

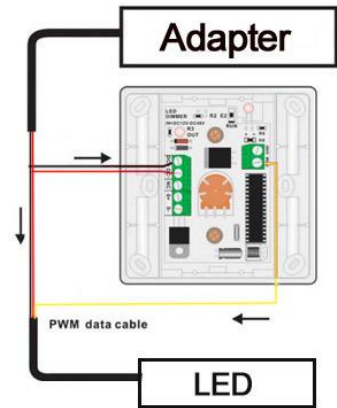
连接方式 A A Connection mode



连接方式 B B Connection mode



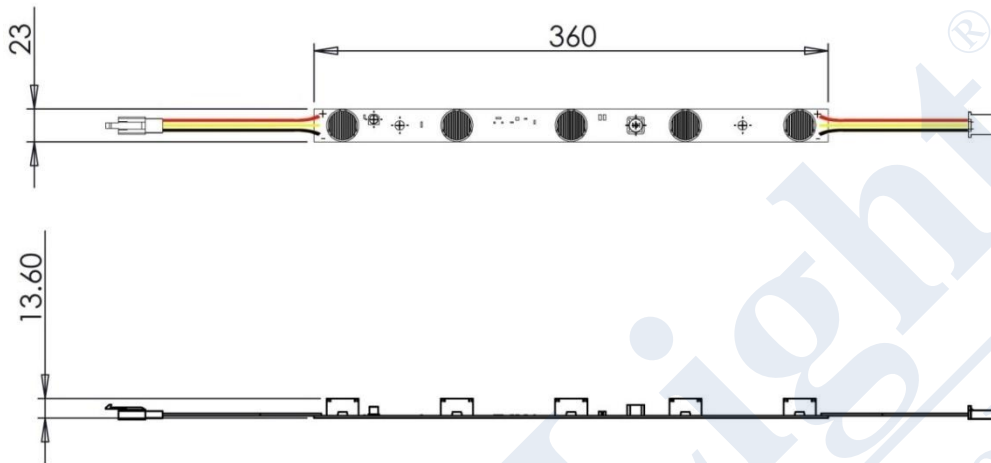
可选
As you want



备注: 红色线为正极, 黑色线为负极, 中间黄色线接调光器。

Remark: Red line is anode, the black line is cathode, and the middle yellow line connect with dimmers.

2. 平面尺寸图 Dimension (mm)



3. LED 参数 Features

项目 Item	参数 Parameter
LED 组合方式 LED compound mode	1 串 1 Cascade
最小截断尺寸 Minimum truncation size	---
灯珠(中心)间距 Lamp bead (center) spacing	80mm
LED 型号 LED Part No	---
LED 芯片 LED Chip No	---
LED 电流 LED current	350mA
LED 波长或色温 Wavelengthλd (nm) Or Tc (k)	5000K-7000K
LED 颜色 LED Color	正白 White
LED 流明 LED lumen	110LM-120LM

4. 技术要求 Technical Request

序号 NO	项目 Item	单位 Units	参数范围 Parameter range
1	工作环境温湿度 working environment	℃	-20~50 30%-70%
2	储存条件温湿度 storage condition	℃	-20~70 30%-70%
3	工作频率 work frequency	Hz	---
4	额定电压 limited voltage	V	DC24±0.5V
5	额定电流 limited current	mA	350±10%
6	功耗 output power	W	8.4±10%
7	光通量 luminous flux	LM	550±10%

5. 使用说明 use manual

*请先仔细阅读产品规格书,确认其使用环境是否符合规格书上的条件,方可放心使用.

Please read the specification first to make sure the using condition is fit.

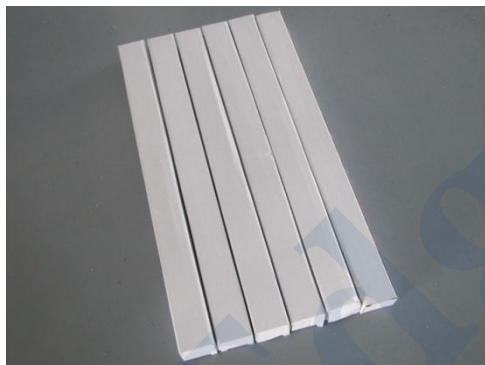
*将产品接入电源时,请先确保开关处于闭合状态.

Please shut off the switch before connect the product, then turn on.

*本产品仅限于室内使用.

.Indoor use only.

6. 包装 packaging



2 个/小盒 2 PCS/Small Box

100 小盒/箱 100 Small Box/Big Box

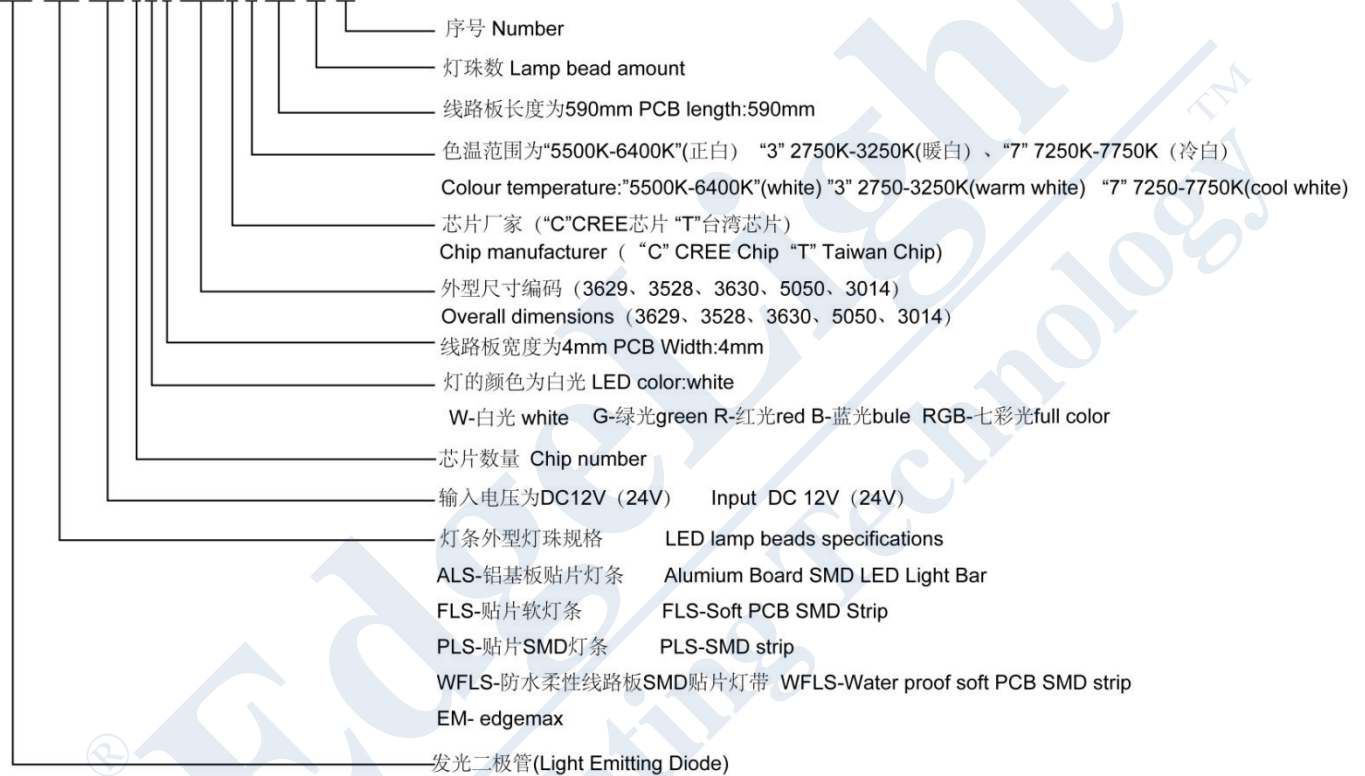
总重量: 19.1 千克

Total weight: 19.1KG

7. 命名规则 How to name:

灯条命名规则: How to name:

LED-ALS-12V-1W4-3629C-6-590-48-01



更多 LED 产品参见网站链接

More LED products **checked** website links.